

ARCHITECTURAL DATA SHEET

Meri

Architectural Direct-View Media Tube · A-Series

Colour, drawn in line.

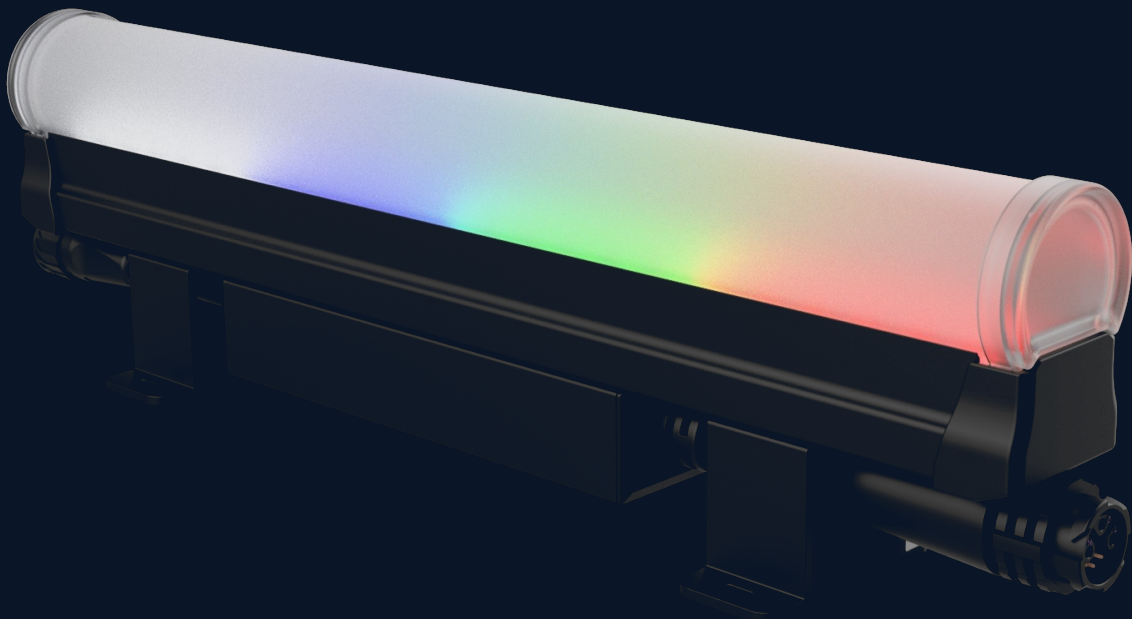
Wet-location-rated, high-performance LED Direct-View media tube. A 160° native distribution turns the fixture itself into the lit element — a continuous line of colour for façade, cove, and edge work. Available in DMX-RDM RGBW and DMX-RDM Dynamic White — sharing a single mechanical platform in 1' and 4' lengths.

160° DIRECT VIEW

IP66 WET
LOCATION

DMX RGBW · DW

100-277V · 48VDC



AVAILABLE WITH*

Coda™

Forte™

Sense™

Shift™

Token™

Tone™

*Not all technologies are available on every fixture.

Two variants.

One mechanical and optical platform.

DMX

RGBW · Media Tube

Native Distribution · 160° Direct View

LED Channels

4 (R · G · B · W 3000K)

Native Output

230 lm / ft (full-on)

Red · Green · Blue

16.5 · 75 · 8.5 lm/ft

White (3000K)

117.5 lm/ft

Power

6 W / ft typical

Efficacy

40 lm/W

Control

DMX (RDM compliant)

DMX

Dynamic White · Media Tube

Native Distribution · 160° Direct View

LED Channels

3 (2700K · 4000K · 6500K)

Native Output

470 lm / ft (full-on)

2700K · 4000K · 6500K

135 · 165 · 167.5 lm/ft

CRI

80 standard

Power

4 W / ft typical

Efficacy

80 lm/W

Control

DMX (RDM compliant)

A V A I L A B L E L E N G T H S

318 mm (1') · 1192 mm (4')

Both lengths share the same mechanical platform and DMX architecture.

E L E C T R I C A L · B O T H V A R I A N T S

Input Voltage	100-277VAC, auto-ranging, 50/60Hz
Input Voltage (Alt)	48 VDC
Power Factor	0.99 @ 120VAC · 0.90 @ 277VAC
Surge	4 kV maximum common (Gnd to L, Gnd to N)

Calculated values · actual results vary within ±5%

Built for the field.

Shared across both variants.

Mechanical

Dimensions (1')

83 × 52 × 318 mm

Dimensions (4')

83 × 52 × 1192 mm

Weight

0.65 kg (1')

1.80 kg (4')

Housing

Extruded aluminum
Black powder-coated

Lens

PC Direct-View Tube

Connections

Integral male/female
IP67 quick connectors

Mounting

Integral bracket feet

Environment

Operating Temp

-40 to 50° C

Startup Temp

-20 to 50° C

Storage Temp

-40 to 80° C

Ingress Rating

IP66 — Wet Location

Impact

IK08 standard
IK10 with Wire Rock Guard

Vibration

ANSI C136.31, 3G

Humidity

0 – 95%, non-condensing

Corrosion

ASTM B117 > 1,500 hrs

Compliance

Approbation

ETL · CE

Location

Dry · Damp · Wet

Standards

ANSI C136.31

ASTM B117

IEC 60529 (IP)

IEC 62262 (IK)

RoHS

Compliant

Patent Portfolio

Protected by an 80+
patent portfolio across
US, EU, Asia

AVAILABLE WITH*

Coda™

Forte™

Sense™

Shift™

Token™

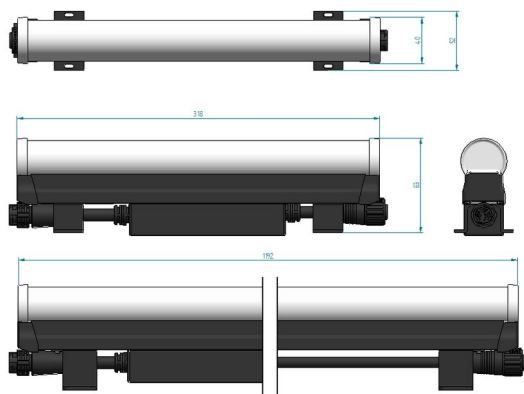
Tone™

*Not all technologies are available on every fixture.

Geometry and output.

1' and 4' dimensions · 4'-section photometric reference (RGBW 3000K).

Dimensions



All dimensions in mm. Detailed CAD drawings available on request.

Photometrics

RGBW 3000K full-on · 4' section

Beam Angle	162.2°
Lumens	911.7 lm
Input Power	23.4 W
Efficacy	38.9 lm/W
Peak Candela	166.4 cd

ZONAL LUMEN SUMMARY

Zone (°)	Lumens	% Lum.
0-30	133.3	14.6
0-40	225.2	24.7
0-60	438.7	48.1
60-90	275.9	30.3
0-90	714.6	78.4

CENTER BEAM · BEAM WIDTH

Distance · fc / lx · width (cm)

1 m	15.5 / 166.5	3.2
2 m	3.87 / 41.6	6.3
3 m	1.72 / 18.5	9.5
4 m	0.97 / 10.4	12.6
5 m	0.62 / 6.66	15.8

Full IES photometric files for each variant available at arco-illumination.com or on request.

C O N T A C T

Specify Meri.

Singapore HQ

Arco Illumination Pte. Ltd.
No. 8 Penjuru Lane
Singapore, 609189

Online

arco-illumination.com
info@arco-illumination.com

OEM · Distributor

partnerships@arco-illumination.com